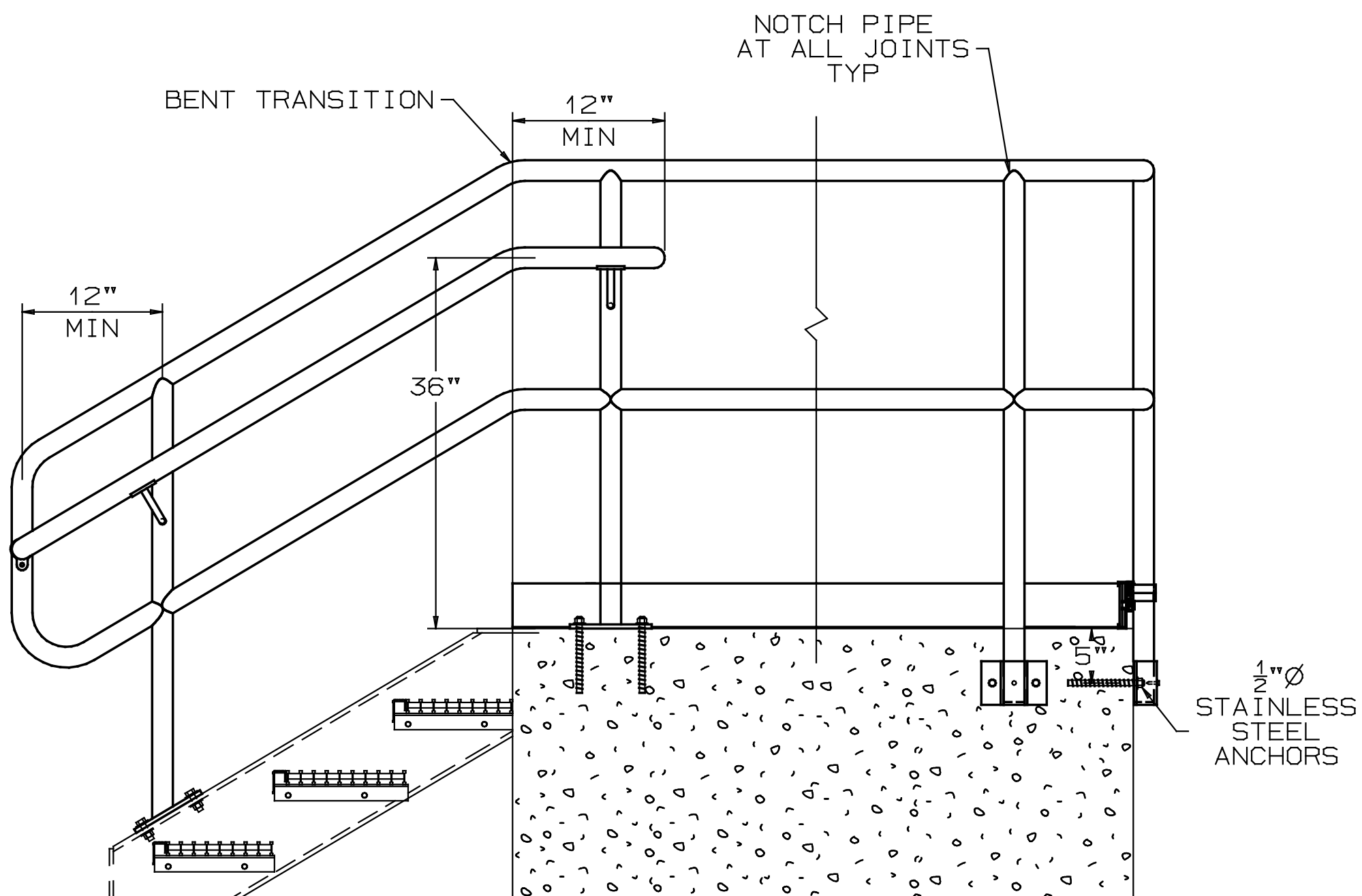
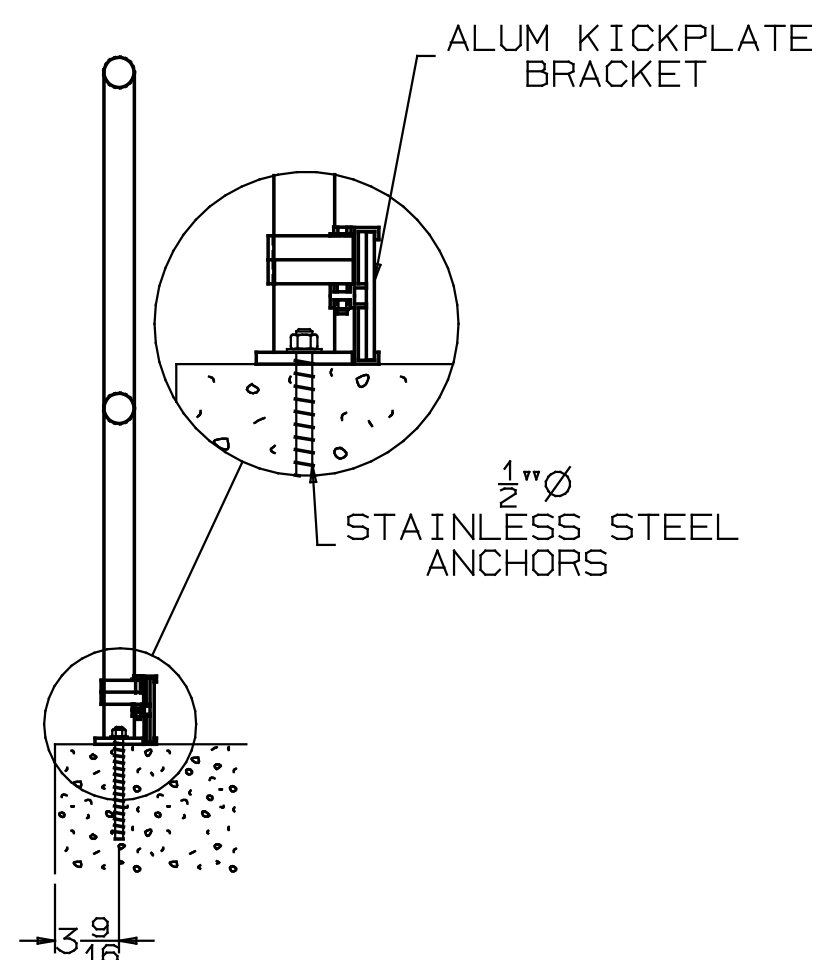
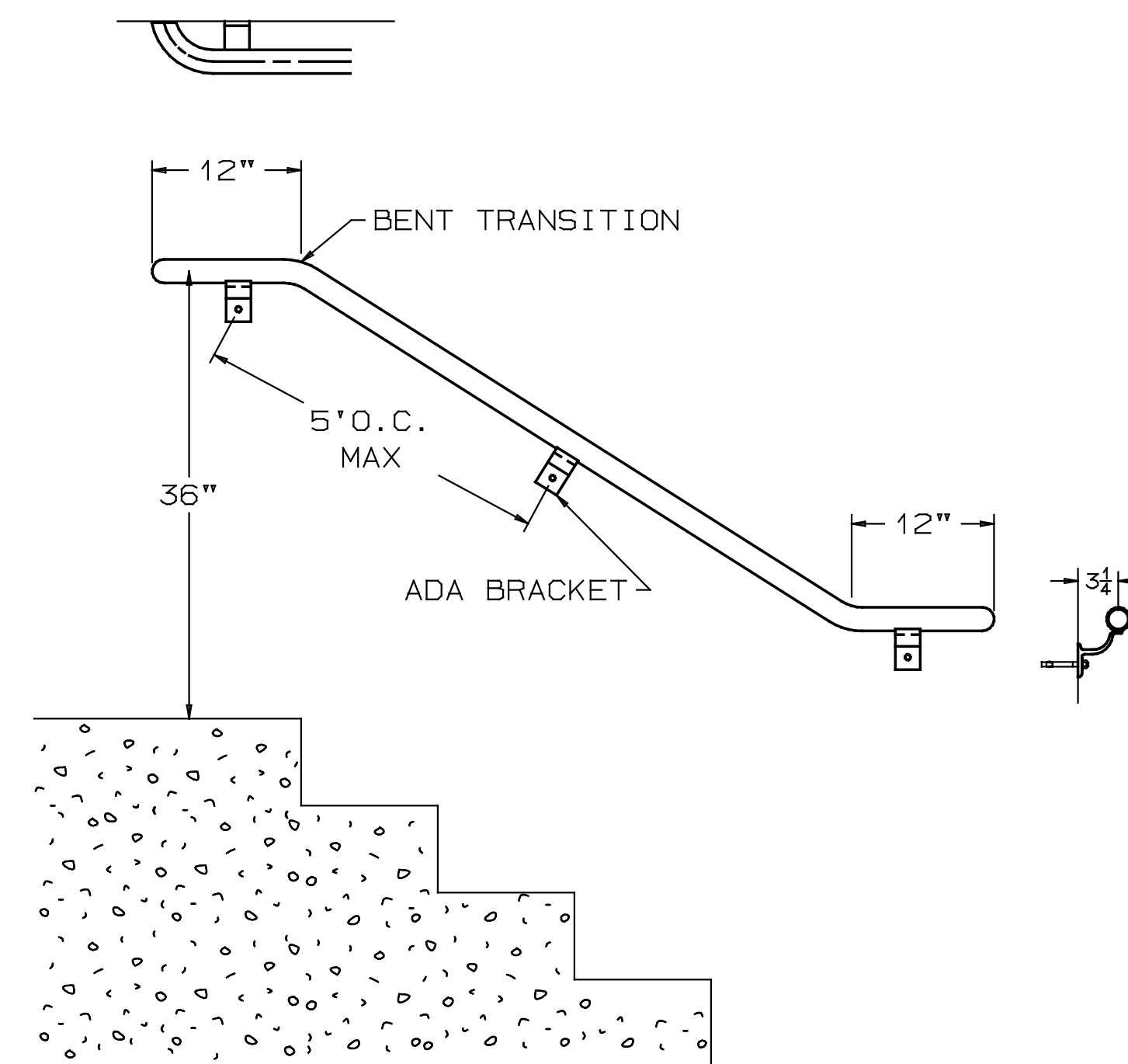


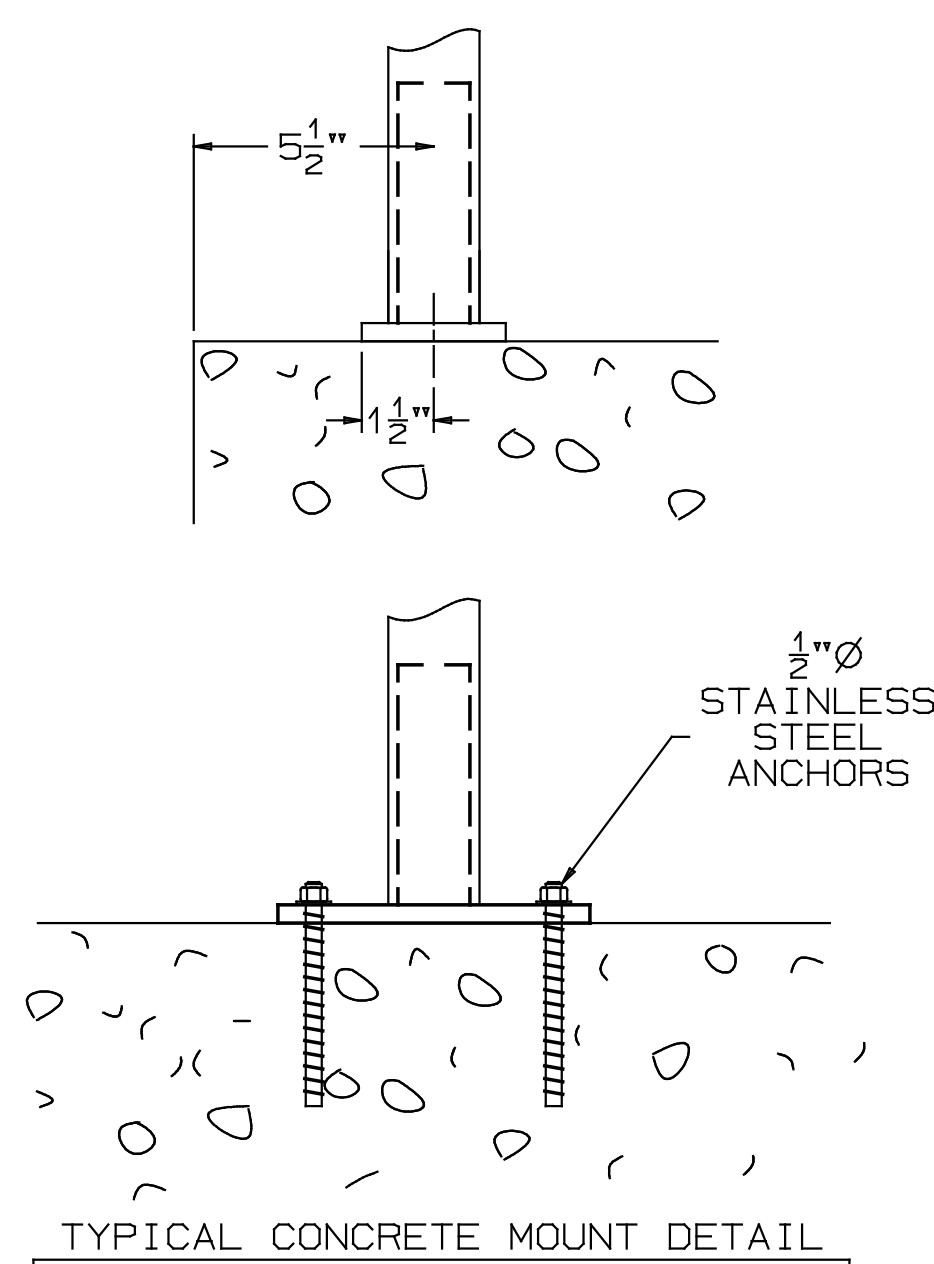
TYPICAL GUARDRAIL



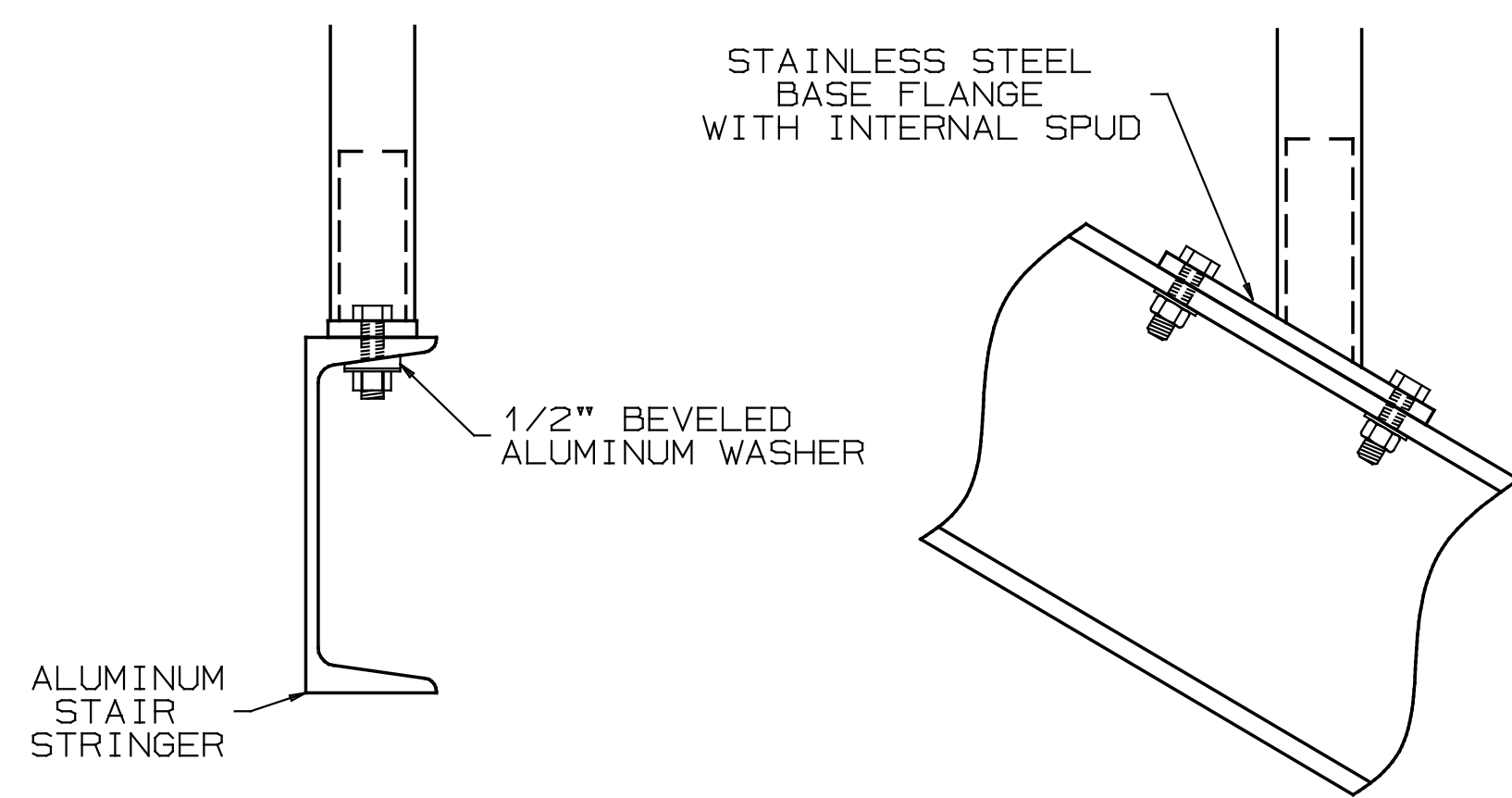
TYPICAL GUARDRAIL AT METAL STAIR



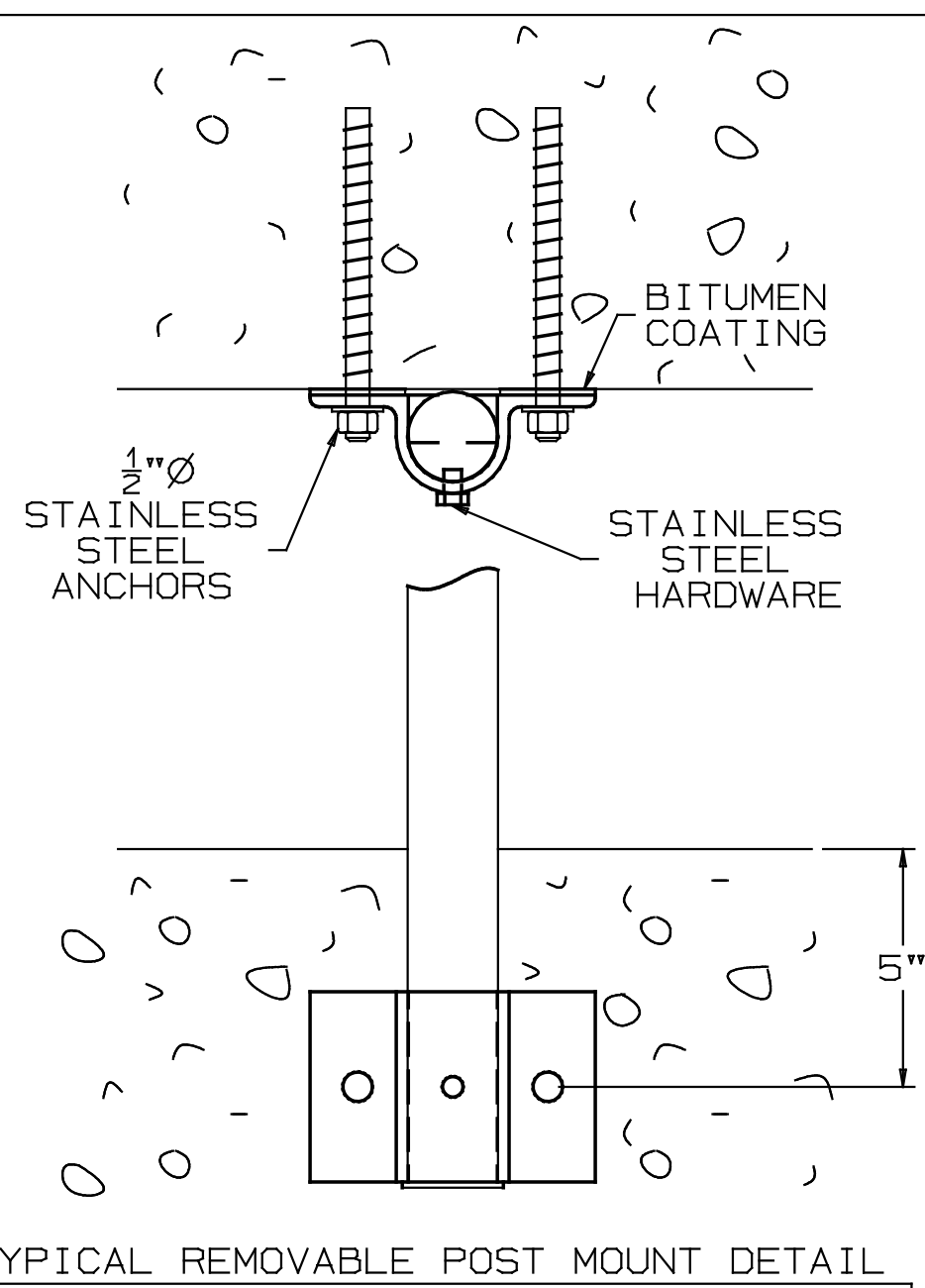
TYPICAL WALL MOUNTED HANDRAIL



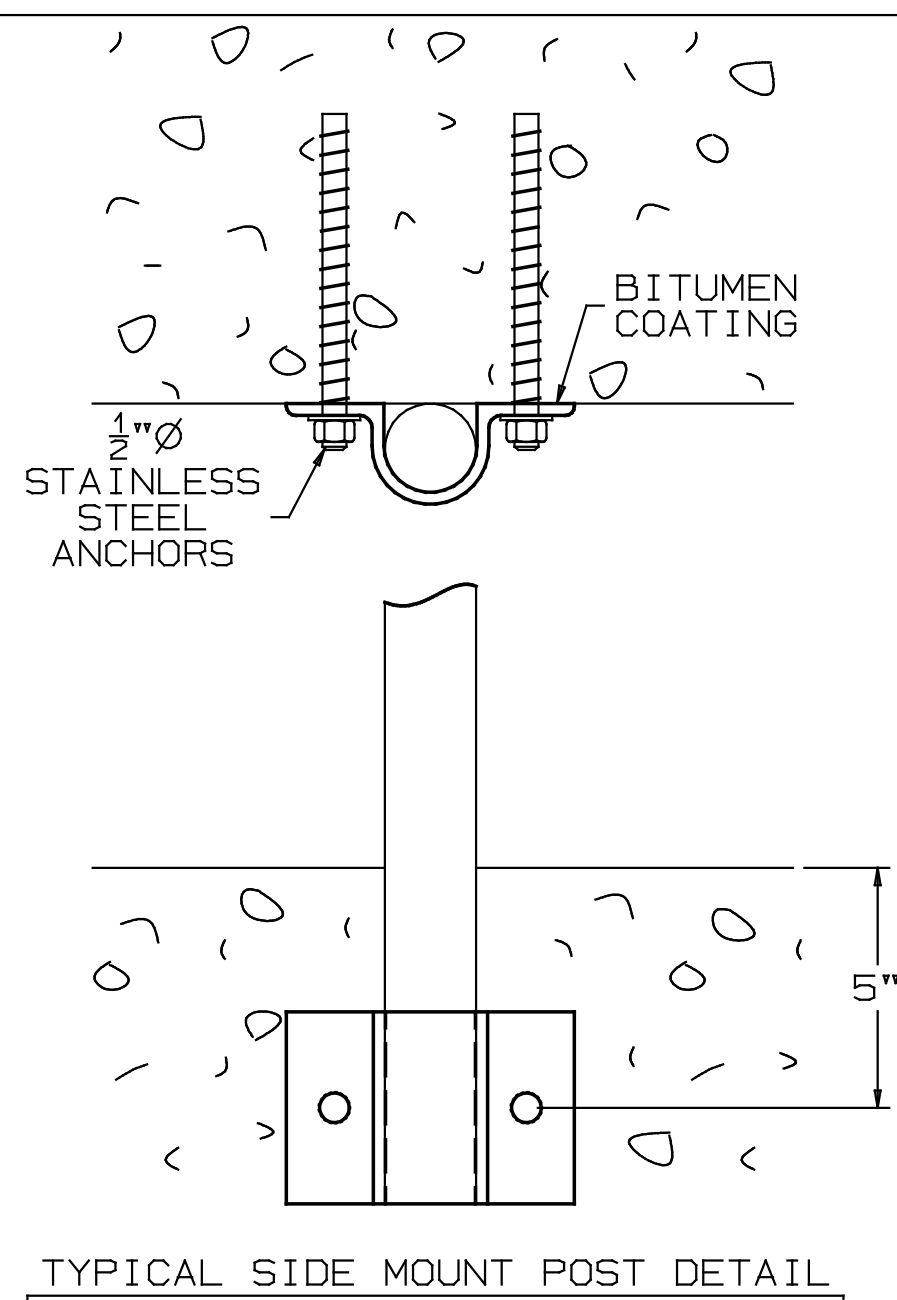
TYPICAL CONCRETE MOUNT DETAIL



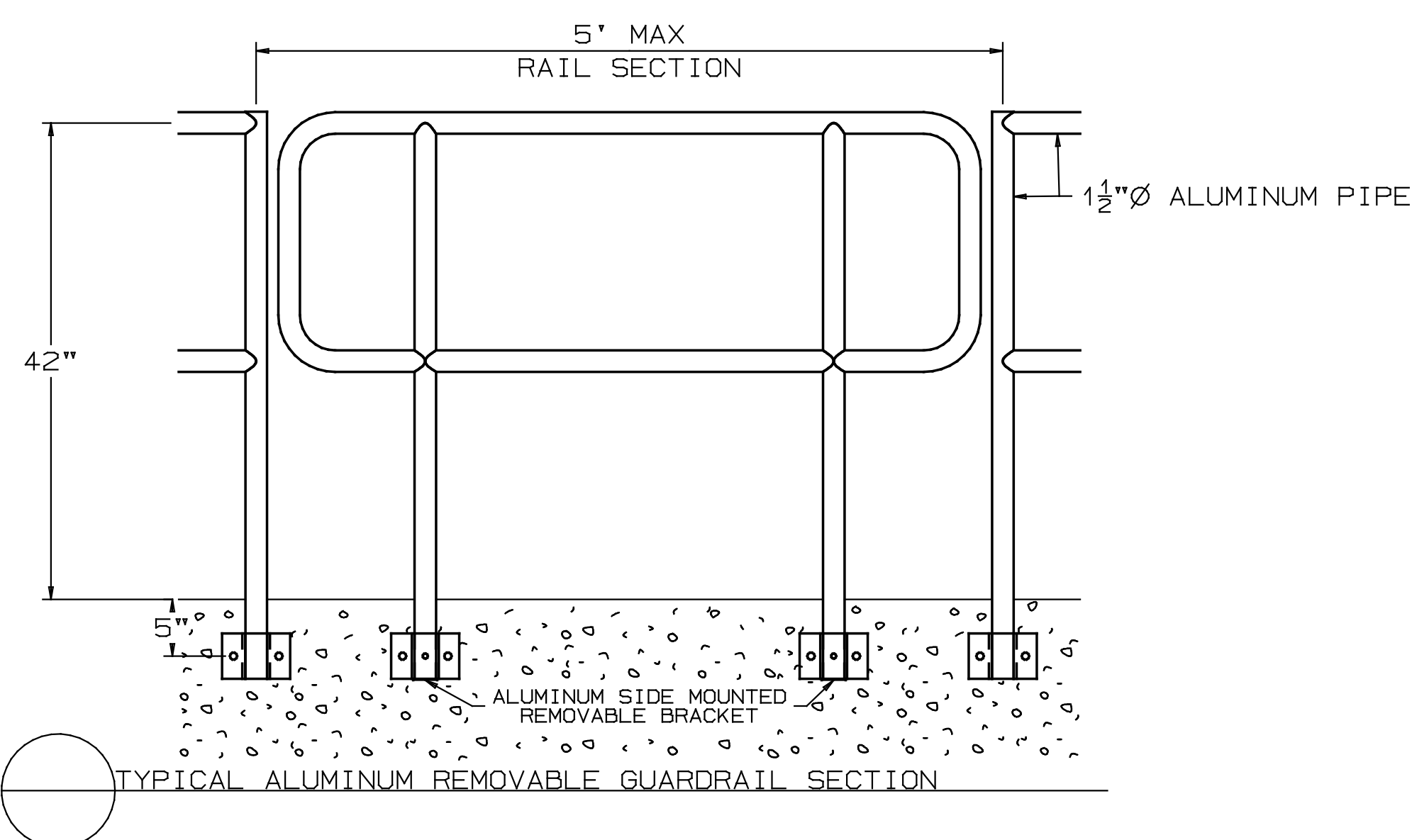
TYPICAL POST TO STRINGER MOUNT DETAIL



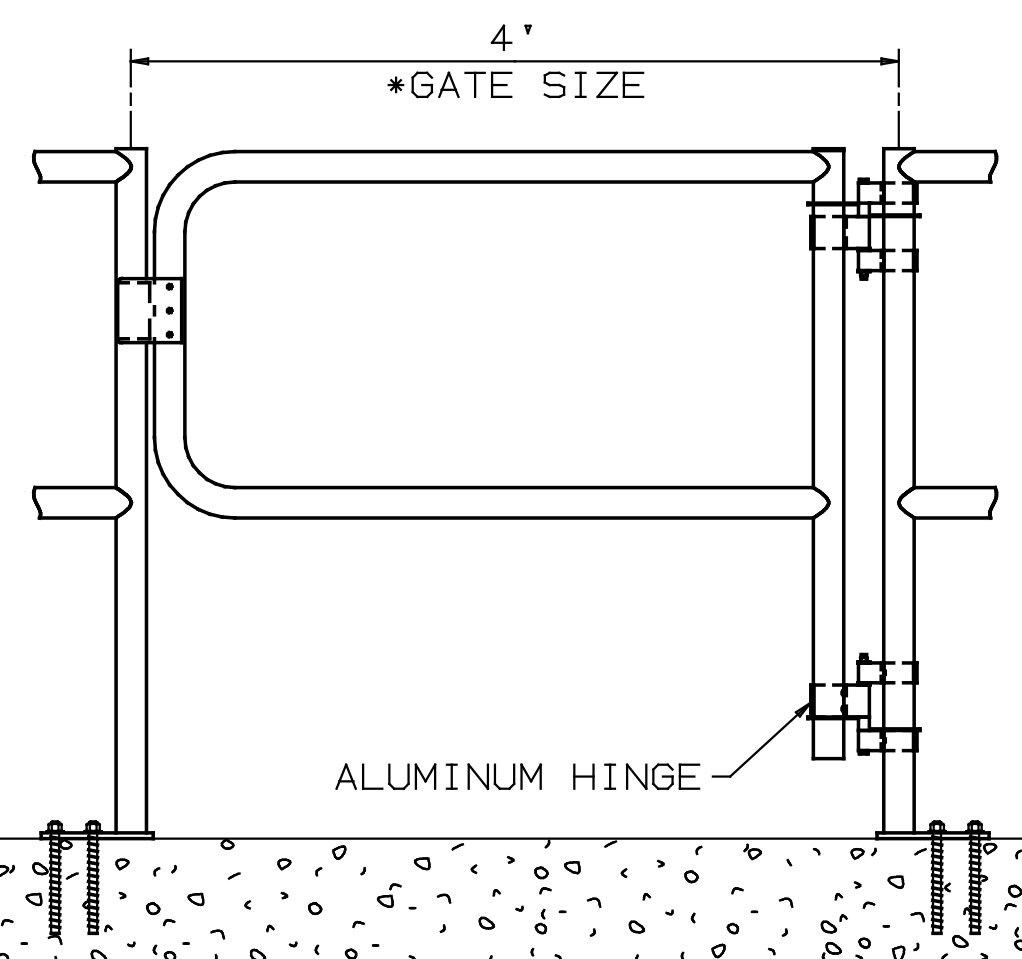
TYPICAL REMOVABLE POST MOUNT DETAIL



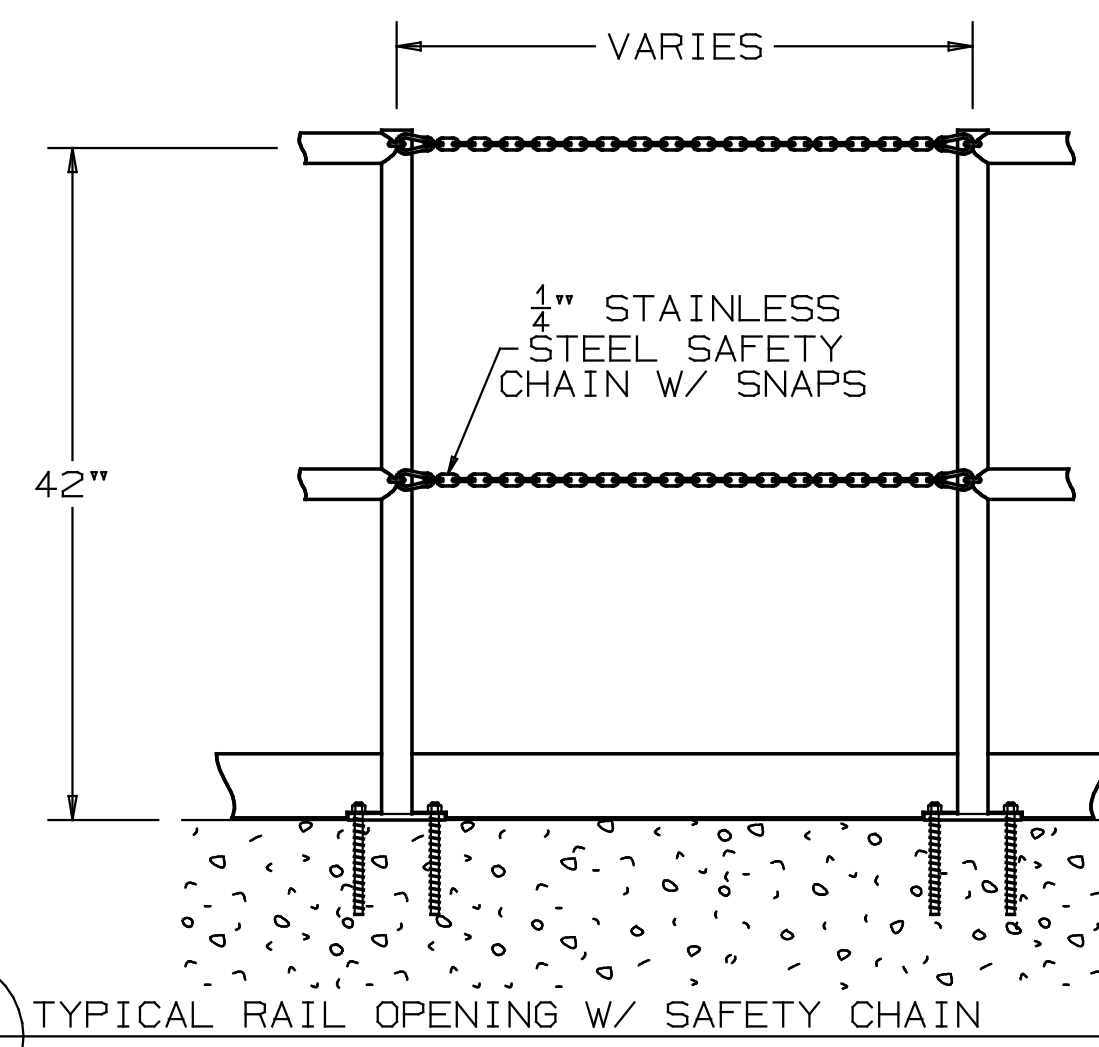
TYPICAL SIDE MOUNT POST DETAIL



TYPICAL ALUMINUM REMOVABLE GUARDRAIL SECTION



TYPICAL ALUMINUM SWING GATE



TYPICAL RAIL OPENING W/ SAFETY CHAIN